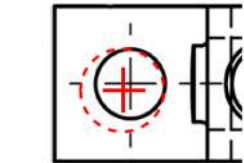
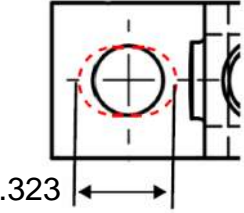


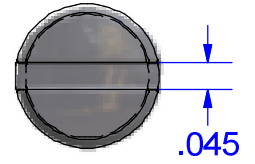
Examples of Mounting Hole Modifications



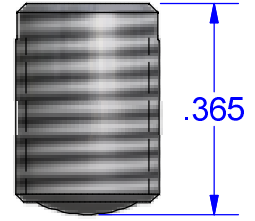
Enlarged hole and shifted center line



Elongated hole

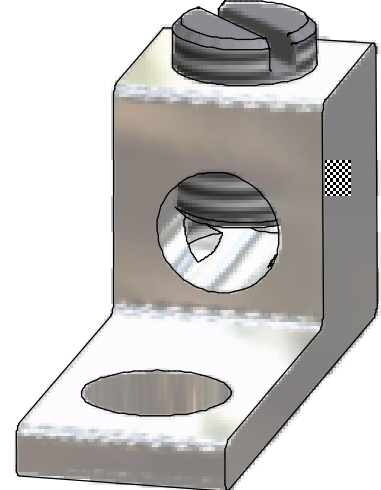


.045



.365

SCREW #
15717/15717CF-HT
PLATED STEEL

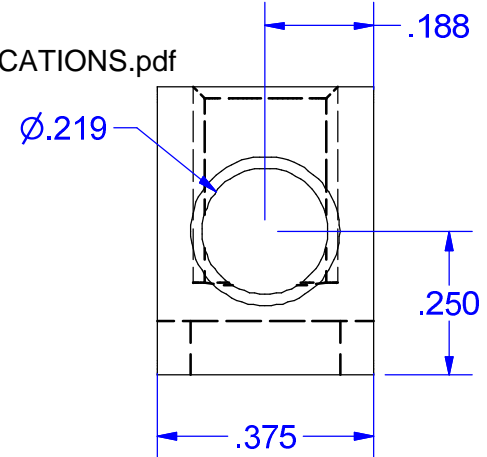
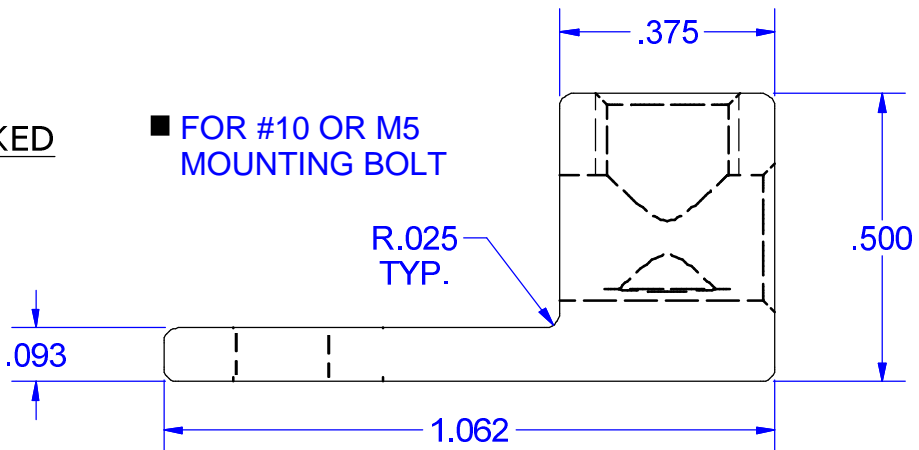


Cat. No. S6 Style No. ALL
 ■ Drill, Enlarge, or Modify Mounting Holes
 1) Increase hole(s) dia. to 5/16 bolt (.323 drill dia.)
 2) Move location of mounting hole(s)
 3) If buying blank lug, put custom hole(s) in.

IHI UL/CSA Installation Guide to Drill or Enlarge Mounting Holes:
<https://lugsdirect.com/PDF%20Documents/IHI-MTG-HOLE-FIELD-MODS-UL&CSA-CERTIFICATIONS.pdf>

PART MARKED
 S6
 IHI
 UL Logo
 CSA Logo
 CU9AL
 6-14

■ FOR #10 OR M5 MOUNTING BOLT



Recommended slotted driver bit for user torque of 45 in-lbs required on larger wires, is Chapman Mfg CM-96 or CM-98
lugsdirect.com/PDF%20Documents/1-4-28-slotted-setscrew-bit-selection-tips.pdf

NOT FOR USE WHERE FAILURE CREATES A HAZARD TO HUMAN HEALTH OR SAFETY. ALL PRODUCTS ARE SUBJECT TO THIS FULL DISCLAIMER: <http://www.ihconnectors.com/disclaimer.html>

FOR FURTHER INFORMATION ON THE PROPER USE OF THIS PRODUCT IN SPECIFIC APPLICATIONS SEE <http://www.ihconnectors.com/GuideToFlexFlexibleFineStrandedWireCableMechanicalLugsFAQ.html>
<http://www.ihconnectors.com/Technical-Data-Installation.htm>

<small>THIS DRAWING AND DESIGN ARE THE PROPERTY OF INTERNATIONAL HYDRAULICS, INC., CLEVELAND, OHIO, AND MAY NOT BE DUPLICATED, USED FOR THE BASIS OF DESIGN OR MANUFACTURE WITHOUT THE WRITTEN PERMISSION OF INTERNATIONAL HYDRAULICS, INC., CLEVELAND, OHIO.</small>					INTERNATIONAL HYDRAULICS, INC.				
GENERAL TOLERANCES $\pm .015 (\pm 0.038)$					TITLE: S6-203_(WEB) CONNECTOR				
MATERIAL: 6061-T6 EXT1010		SIZE: TDS		DRAWN BY: TDS		DWG NO.: S6-203_(WEB)		REV: 0	
FINISH: TIN PLATE EMS		DATE: 4/20/09		IHI CONNECTORS					